

SA1200 GNSS Antenna

GNSS Antenna
for Reference Station



SA1200 TECHNICAL FEATURES

3D CHOKE RING ANTENNA

Stonex SA1200 is a high performance 3D Choke Ring GNSS antenna with strong multipath suppression and submillimeter phase center stability. It is ideal for applications of CORS stations, bridge and building deformation monitoring or geological monitoring and for the creation of a Network VRS.

TRACKING OF ALL GNSS SIGNALS

SA1200 is able to track all signals (L1, L2, L3/L5) of all available constellations; GPS, Glonass, Galileo, BeiDou, QZSS, IRNSS, SBAS and the L-band correction service.

The strong ability to receive low elevation signals with high gain and wide beam width makes SA1200 an excellent choice for tracking visible satellites and provide stable and precision GNSS data under complex environments, such as obstructed environment of tree lines or construction.

STRONG AND RUGGED

The SA1200 cover is made of Glass Fiber Reinforced Polymer(GFRP) material and is structurally strong and reliable. The IP67 ruggedized cover is also designed to protect the inside antenna from dust and water. It can be used in extreme conditions and guarantees operation at temperatures from -55°C to +85°C (-67°F to +185°F).

PERFORMANCE

Satellite Signal Tracked	GPS: L1, L2, L5
	GLONASS: L1, L2, L3
	BEIDOU: B1, B2, B3
	GALILEO: E1, E2, E5a, E5b, E6, AltBOC
	QZSS: L1, L2, L5
	IRNSS: L5
	SBAS: L1, L5
L-BAND	
Type	3D Choke Ring Antenna
Phase Center Stability	± 1mm
Nominal Impedance	50Ω
Polarization	RHCP
Axial Ratio	≤2dB
Peak Gain	6dB
LNA Gain	50dB (typical)
Noise Figure	≤1.5dB
Output/Input VSWR	≤2.0
Operation Voltage	+3.3VDC to +12VDC
Operation Current	60mA (maximum)
Group Delay Ripple	≤5ns

MECHANICAL

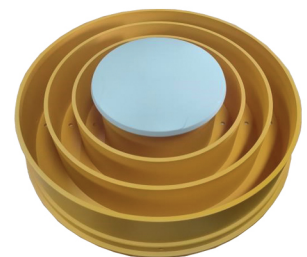
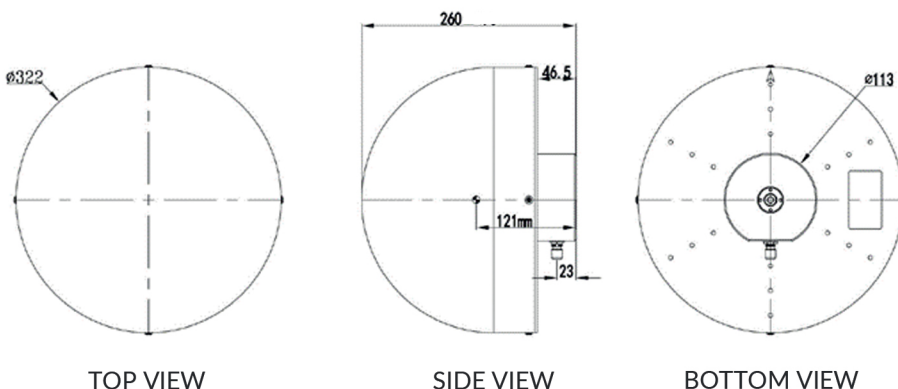
Dimensions	Ø322mm x 260mm
Connector	TNC female
Mounting	BSW 5/8"-11 screw, depth ≥22mm
Weight	5.5kg

ENVIRONMENTAL

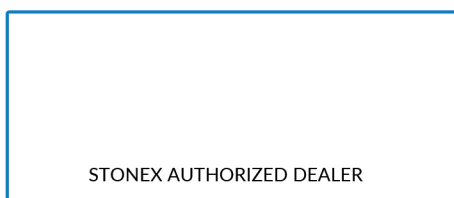
Operating Temperature	-55°C to 85°C (-67°F to 185°F)
Storage Temperature	-55°C to 85°C (-67°F to 185°F)
Humidity	95% non condensing
Waterproof/Dustproof	IP67

CALIBRATION

NGS	Yes
IGS	Yes



Illustrations, descriptions and technical specifications are not binding and may change



STONEX®
Part of UniStrong

Viale dell'Industria 53 - 20037 Paderno Dugnano (MI) - Italy
Phone +39 02 78619201
www.stonex.it | info@stonex.it